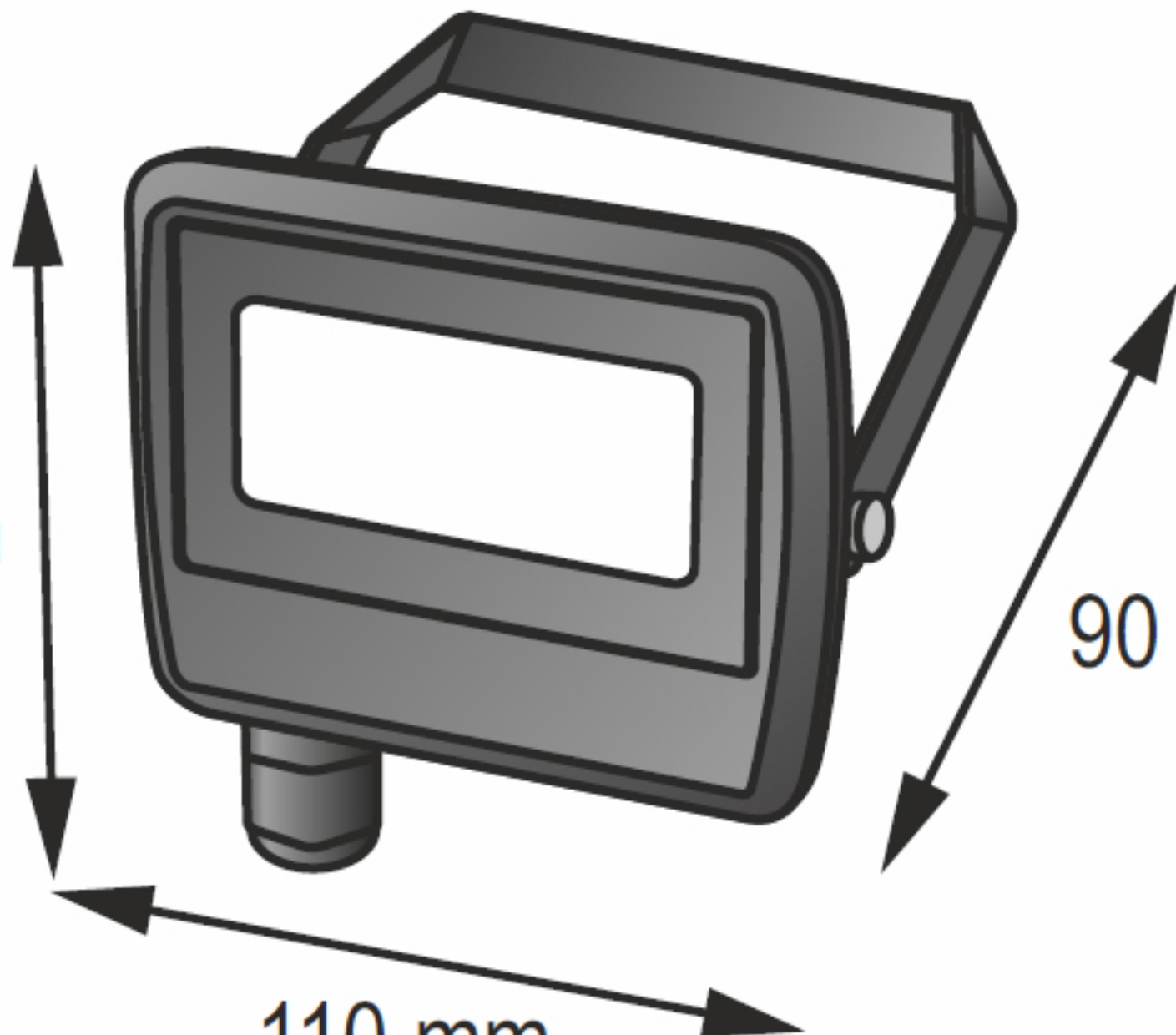


110 mm



90 mm

110 mm